

ZSP-TR01 User Manual

RF Wireless 5-12 VDC Projector Trigger

1. Size and Weight: W x H x D: 4.8"x2"x0.7", Weight: 0.09LBS
2. Max. Control Distance: 80 feet (25M), Control Type: ASK / FSK
3. Support Projector Output Trigger Voltage: 3 - 15VDC
4. RF Spec. Frequency : 315 MHz, Power: Less than 2 Mil-watt

To activate this device, please follow the instructions associated with either a Version 1.4 or 2.0 control. If you are uncertain as to which version you have, please contact Elite Screens Tech Support for assistance.

Version1.4:

Step 1: Push the small button located on the circuit board, please note you may require a small pointed object such as a punch to achieve this. After the LED light turns on, press & hold the middle button of your Wireless RF Trigger Control. Make sure that the LED light on circuit board turns on during this process.

Step 2: Continue to hold the middle button for an additional 3-4 seconds. After that, your Wireless RF Trigger Control should now be activated and ready to use.

Please note that only middle button on the controller works.

(Note* The projector's on/off cycle may take longer to fully activate. The average is about 20-30 seconds for full on/off cycles each time.)

Version2.0:

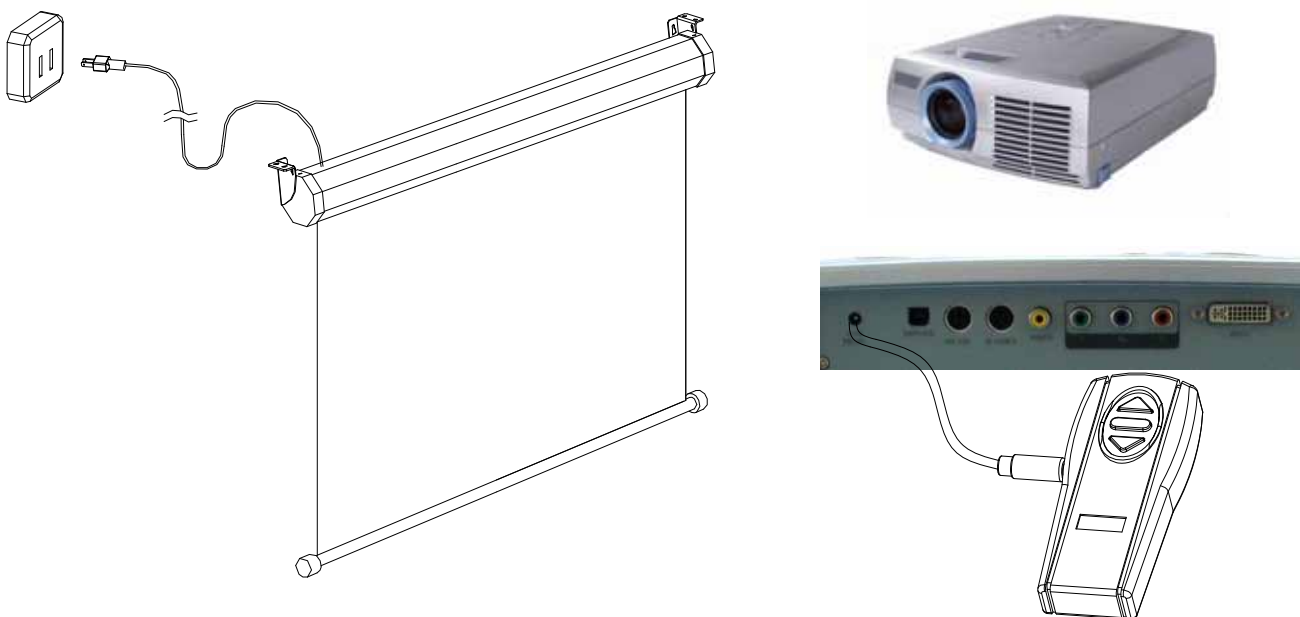
Step1: Put new batteries in your new RF remote control.

Step2: Make sure your wall outlet has power and that the screen is properly plugged in.

Step3: Within first 5 seconds of plugging in the screen, Push & Hold the "Up" Button of your RF remote for 5-10 seconds, then press "UP/Down" button and the screen will be set.

Repeat the steps again if not successful.

Once your RF remote is activated, the control signal will be saved, even if the power is shut off.



Elite Screens Inc.

16410 Manning Way Cerritos, CA 90703

Phone 562-483-8198 / www.elitescreens.com / EliteInfo@elitescreens.com



Features and Benefits

- Wireless 5-12 Volt Trigger for easy synchronization of your Elite brand electric screen's up/down function with your projector's power cycle
- Radio Frequency (RF) provides a wireless control range up to 100 feet (30.48m)
- Functions both as a wireless (RF) 5-12 Volt trigger or independent RF remote control
- Low Power Consumption with Long Battery Life - Supports up to 5 year or 5000 Up/Down Cycles, with simple a one step replacement
- FCC Part 15.231 at 434.1 MHz Frequency Range
- Optional accessory for Home2, CineTension2, VMAX2, Spectrum Series. (Standard Accessory for VMAX Plus3, Home3, CineTension3 series)